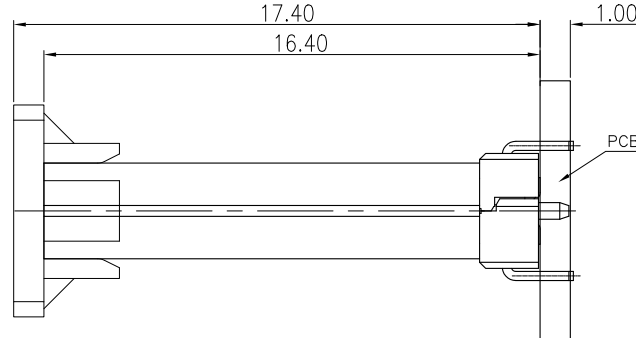
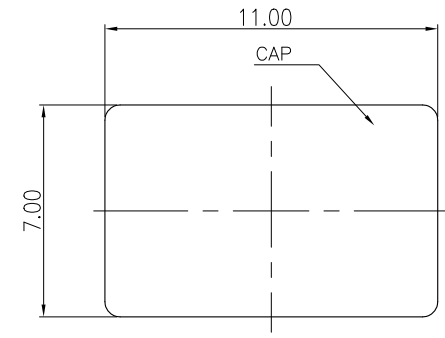
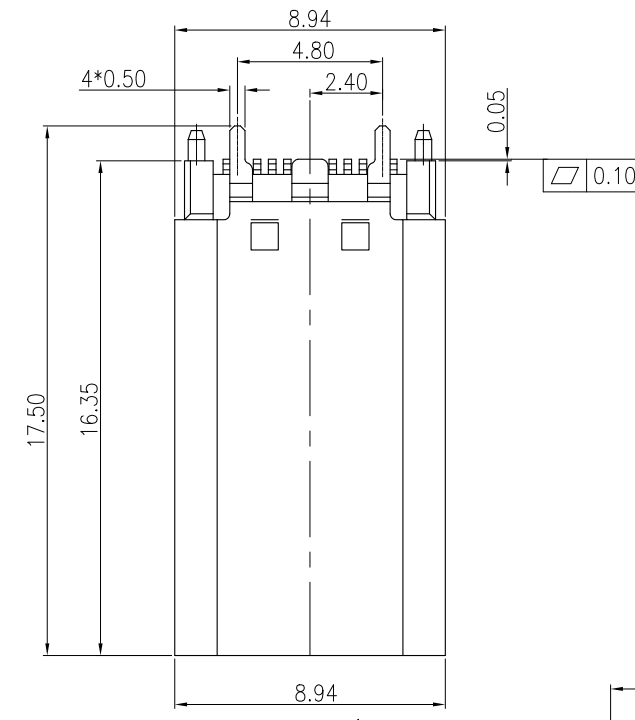
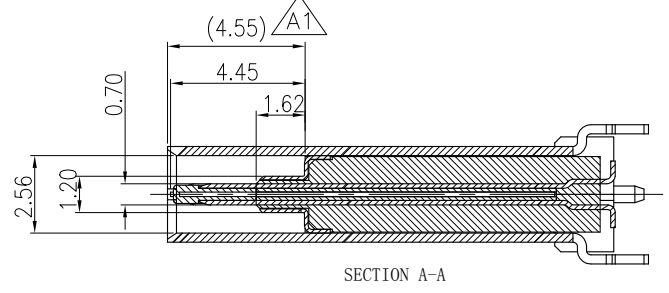
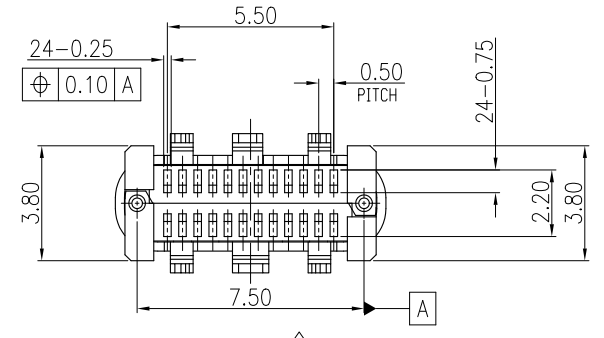
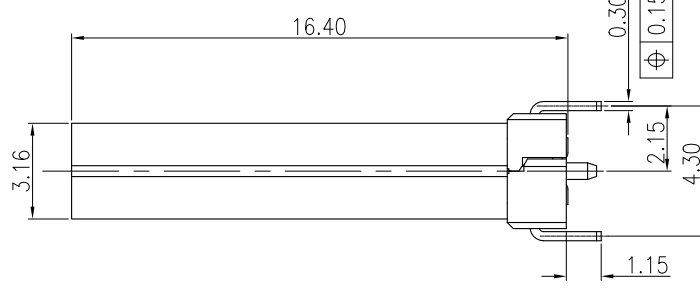
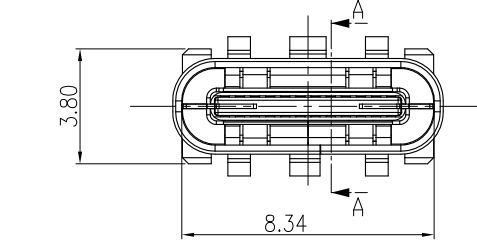


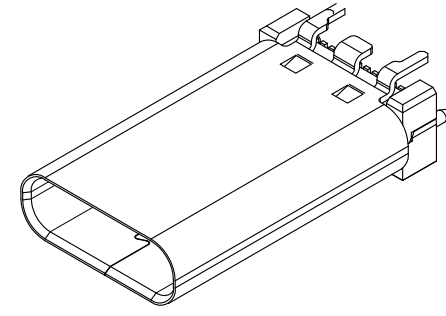
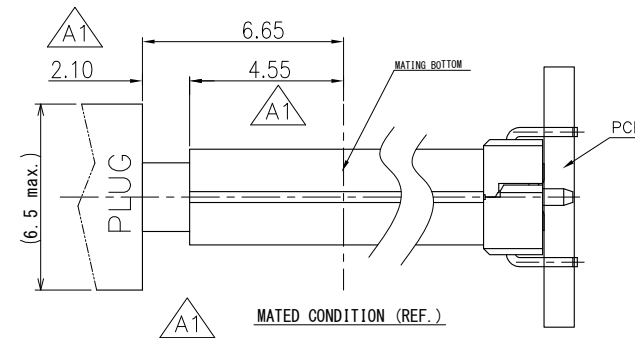
REV	ECN.NO	APPD.
A	XYX-183LT-24TC-18301	ZHENBO LIU
B	XYX-183LT-24TC-18301	QiaoZhen LIN



CAP ASSEMBLY AND MOUNTING CONDITION (REF.)



SECTION A-A



X.±0.30	x.'±1'
.X±0.25	.x'±0.1'
.XX±0.20	
.XXX±0.10	

THESE DRAWINGS AND SPECIFICATIONS ARE THE PROPERTY OF YEXING IN TEECONNECT TECHNOLOGY LIMITED, AND SHALL NOT BE REPRODUCED COPIED OR USED IN ANY MANNER WITHOUT THE PRIOR WRITTEN CONSENT OF YEXING INTERCONNECTEC HNLOGY LIMITEDCT

UNITS	mm
MAT'L	
FINISH	
Q'TY	
NAME (INTENDED USE)	TYPE C 24P母座 四脚DIP 立式双贴SMT 高度H=16.4MM
PART NO. (INTENDED USE)	XYX-183LT-24TC-18301
APPD:	ZHENBO LIU 12/04'16
CHKD:	QiaoZhen LIN 12/04'16
DR:	ZHIYI LI 12/04'16

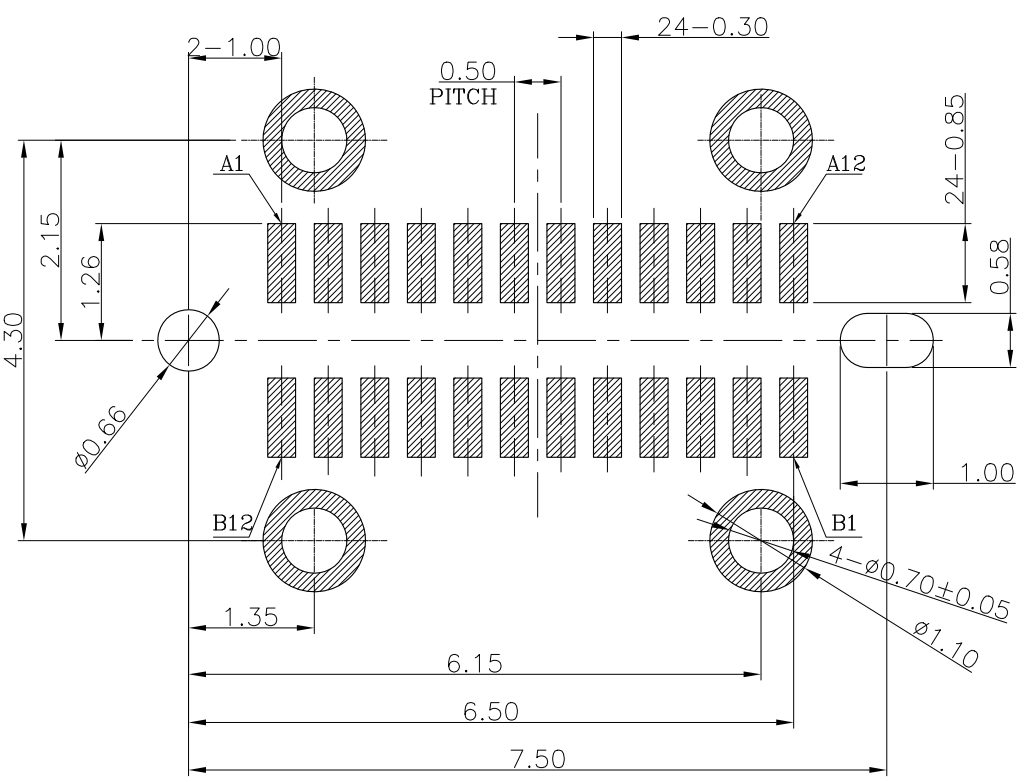
深圳市日宝电子科技有限公司  
Shenzhen RiBao Electronics Co.Ltd.

CLASS:  CONFIDENTIAL  SECRET  GENERAL

TITLE.: CUSTOMER DRAWING

DWG NO.:

SCALE	SHEET	REV.
1:1	1/2	B



RECOMMENDED P.C.B. LAYOUT (T:1.00mm)  
TOLERANCE UNSPECIFIED ±0.05mm  
SCALE: 2:1

REV	ECN.NO	APPD.
A	XYX-183LT-24TC-18301	ZHENBO LIU
B	XYX-183LT-24TC-18301	QiaoZhen LIN

NOTES:

- ELECTRICAL CHARACTERISTICS :
  - CONTACT CURRENT RATING:  
5.0 A FOR VBUS PIN AND ITS CORRESPONDING GND PIN.  
0.25 A MIN FOR ALL OTHER CONTACTS.
  - CONTACT RESISTANCE: INITIAL 40 mΩ Max.  
AFTER 50 mΩ Max.
  - DIELECTRIC WITHSTANDING VOLTAGE : 100 VRMS AC MIN.
  - INSULATION RESISTANCE: 100 MEGOHMS MIN.
- MECHANICAL CHARACTERISTICS:
  - CONNECTOR INSERTION FORCE: 5~20N.  
AT A MAXIMUM RATE OF 12.5MM PER SECOND.
  - CONNECTOR EXTRACTION FORCE: 8~20N FORM 1000 CYCLES  
6~20N FORM 1000 to 10000 CYCLES
  - DURABILITY: 10000 CYCLES.
  - OPERATING TEMPERATURE: -55°C TO +85°C
- DIMENSIONS ARE IN MILLIMETERS, BRACKETED DIMENSIONS ARE INCHES EQUIVALENTS.
- RECOMMENED PROCESS: IR REFLOW 260°C, 10 SECONDS.
- THE CONNECTOR IS ROHS COMPLIANT.

⑥	TOP CONTACT	1 SET	COPPER ALLOY	50u" MIN. Ni UNDER PLATING. 80u" MIN. MATTE TIN PLATING ON SOLDER AREA
⑤	BOTTOM CONTACT	1 SET	COPPER ALLOY	GOLD PLATING ON CONTACT AREA. SEE PART NO.
④	SHIELDING PLATE	1 PCS	STAINLESS	50u" MIN. SOLDERABLE Ni PLATING OVERALL.
③	HOUSING	1 PCS	THERMOPLASTIC.	UL94V-0
②	SHELL	1 PCS	STAINLESS	50u" MIN. SOLDERABLE Ni PLATING OVERALL.
①	TOP SHELL	1 PCS	STAINLESS	50u" MIN. SOLDERABLE Ni PLATING OVERALL.
ITFM	PART NAMF	QTY	MATFRIAL	RFMARK

PIN	SIGNAL NAME	PIN	SIGNAL N
A1	GND	B12	GND
A2	SSTXp1	B11	SSRXp1
A3	SSTXn1	B10	SSRXn1
A4	VBUS	B9	VBUS
A5	CC1	B8	SBU2
A6	Dp1	B7	Dn2
A7	Dn1	B6	Dp2
A8	SBU1	B5	CC2
A9	VBUS	B4	VBUS
A10	SSRXn2	B3	SSTXn2
A11	SSRXp2	B2	SSTXp2
A12	GND	B1	GND

THESE DRAWINGS AND SPECIFICATIONS ARE THE PROPERTY OF YEXING IN TEECONNECT TECHNOLOGY LIMITED.AND SHALL NOT BE REPRODUCED COPIED OR USED IN ANY MANNER WITHOUT THE PRIOR WRITTEN CONSENT OF YEXING INTERCONNECTEC HNOLGY LIMITEDCT

UNITS	mm
MAT'L	
FINISH	
Q'TY	

NAME(INTENDED USE)  
TYPE C 24P母座 四脚DIP 立式双贴SMT  
高度H=16.4MM

PART NO.(INTENDED USE)  
**XYX-183LT-24TC-18301**

APPD: ZHENBO LIU 12/04'16

CHKD: QiaoZhen LIN 12/04'16

DR: ZHIYI LI 12/04'16



CLASS:	<input type="checkbox"/> CONFIDENTIAL	<input type="checkbox"/> SECRET	<input checked="" type="checkbox"/> GENERAL
TITLE.:	CUSTOMER	DRAWING	
DWG NO.:			
SCALE	1:1	SHEET	1/2
REV.			B