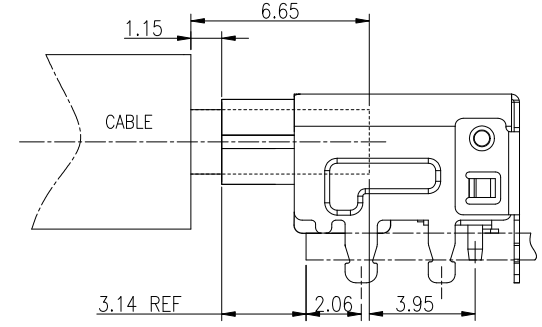
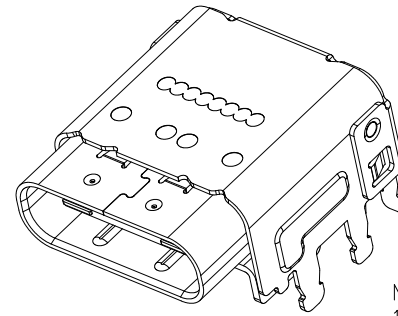
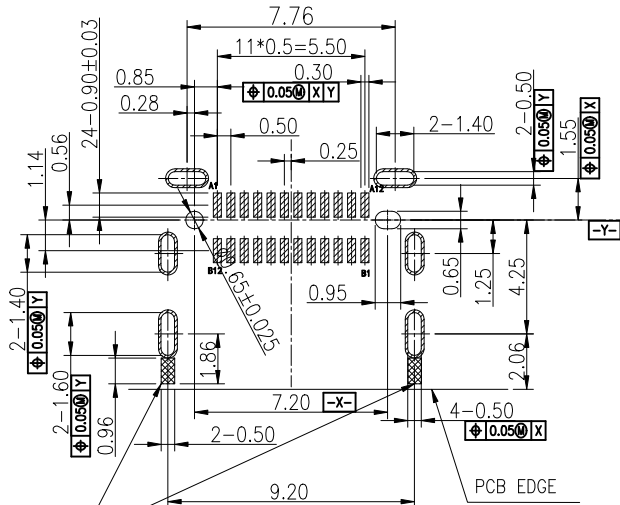
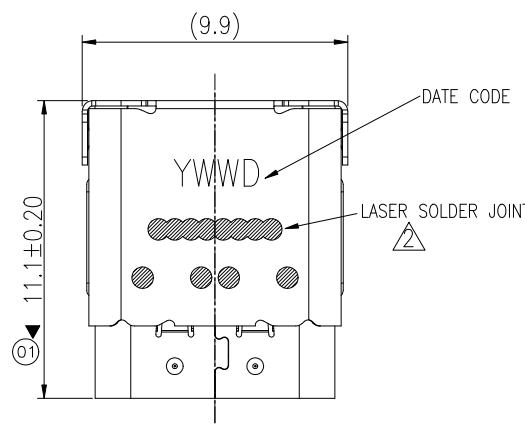


REV	ECN.NO	APPD.
A	XYX-276BZ-24TC-27601	ZHENBO LIU
B	XYX-276BZ-24TC-27601	QiaoZhen LIN

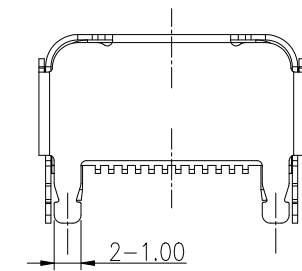
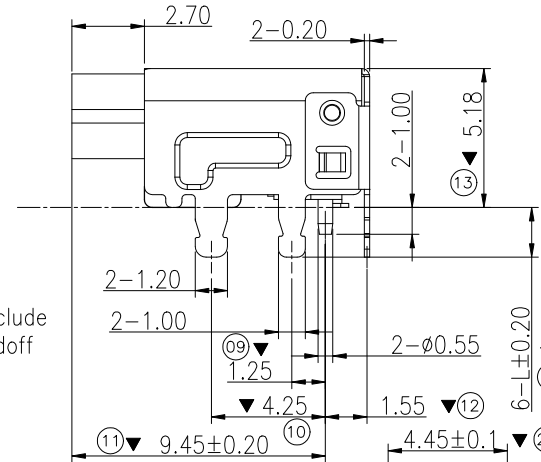
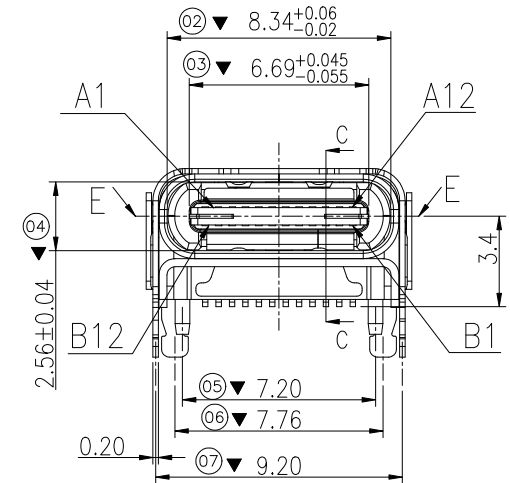


7. PART NUMBER INFORMATION
319CFK-XX-X-SN-HF

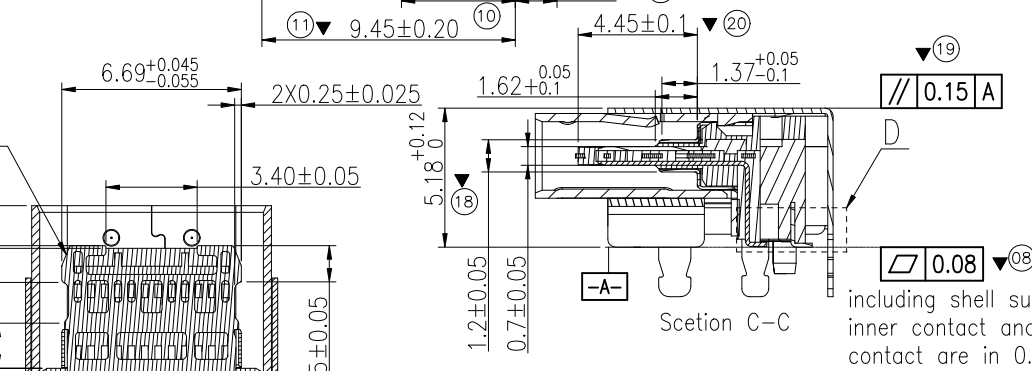
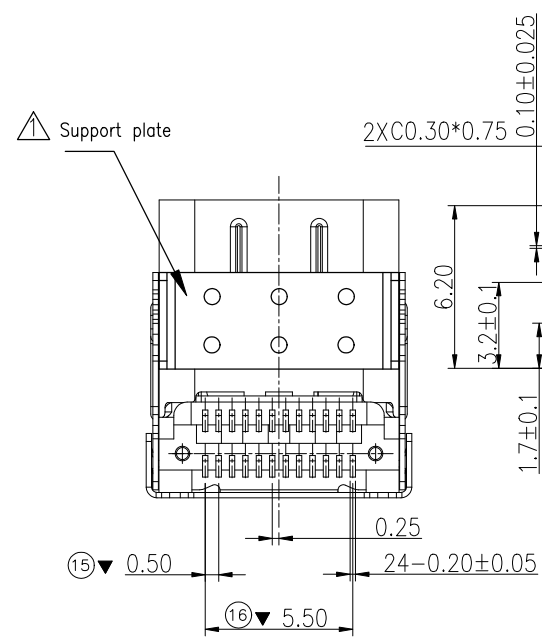
SHELL TAB(DIM L)
D3: L=1.85 (PCB T=1.00MM)
D6: L=1.40 (PCB T=1.00MM)

Terminal plating:
1: Gold flash
6: Gold Au 30u"

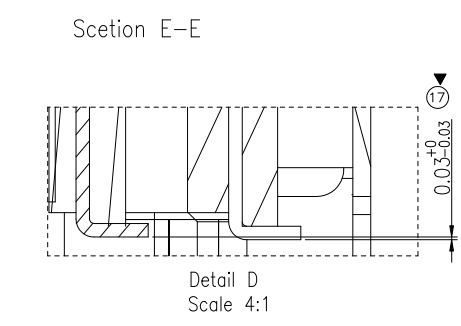
- NOTE:
- MATERIAL:
 - HOUSING: LCP E130i UL94V-0, COLOR: BLACK
 - TERMINAL: HIGH CONDUCTIVE COPPER C18140 T=0.15MM
 - SHELL: STAINLESS STEEL SUS304 T=0.30MM
 - OUTER SHIELD: STAINLESS STEEL SUS304 T=0.20MM
 - LATCH: STAINLESS STEEL SUS304 T=0.15MM
 - EMI SPRING: STAINLESS STEEL SUS304 T=0.10MM
 - SUPPORT PLATE: SUS304 T=0.3MM
 - PLATING:
 - CONTACT: SELECTIVE GOLD PLATED ON CONTACT AREA
100% Min. MATTE TIN PLATED ON SOLDER TAIL
50% Min. NICKEL UNDER-PLATED
 - SHELL: 50% Min. NICKEL PLATED OVERALL
 - OUTER SHIELD: NICKEL PLATING 50% Min. OVERALL
 - LATCH AND EMI SPRING: CLEAN
 - SUPPORT PLATE: CLEAN
 - CHARACTERISTICS:
 - ELECTRICAL CHARACTERISTICS:
CONTACT RESISTANCE: 40mΩ MAXIMUM
CONTACT CURRENT RATING: 5A Max FOR VBUS; 1.25A FOR OTHER PIN
DIELECTRIC WITHSTANDING VOLTAGE: 100 V R.M.S.
INSULATION RESISTANCE 100 MEGOHMS MIN
OPERATING TEMPERATURE: -40°C ~ +80°C
 - MECHANICAL:
MATING FORCE: 5~20N
UNMATING FORCE: 8~20N AFTER DURABILITY: 6~20N
 - THIS PRODUCT IS FOR REFLOW SOLDERING ONLY
 - THIS PRODUCT DOESN'T CONTAIN ENVIRONMENTAL HAZARDOUS PER DIRECTIVE 2011/65/EU FOR ROHS COMPLIANT.
 - PRODUCT SPECIFICATION REFER TO : USB C TYPE SPEC REV 1.2.



Co-planarity include the metal standoff



Section C-C including shell support pin, inner contact and outer contact are in 0.08mm Max,



PINS ASSIGNMENTS

A12	A11	A10	A9	A8	A7	A6	A5	A4	A3	A2	A1
GND	SSRXp2	SSRXn2	Vbus	SBU1	Dn1	Dp1	CC1	Vbus	SSTXn1	SSTXp1	GND
GND	SSTXp2	SSTXn2	Vbus	CC2	Dp2	Dn2	SBU2	Vbus	SSRXn1	SSRXp1	GND
B1	B2	B3	B4	B5	B6	B7	B8	B9	B10	B11	B12

未注公差 TOLERANCE UNSPECIFIED	UNITS	mm
	MAT'L	
	FINISH	
	Q'TY	
THESE DRAWINGS AND SPECIFICATIONS ARE THE PROPERTY OF RIBAO IN TEECONNECT TECHNOLOGY LIMITED, AND SHALL NOT BE REPRODUCED COPIED OR USED IN ANY MANNER WITHOUT THE PRIOR WRITTEN CONSENT OF XINYEXING INTERCONNECTEC HNOLGY LIMITEDCT	NAME(INTENDED USE)	USB TYPE C REC 2 rows SMT HIGH RISE, CH=3.4mm\flangeless
	PART NO.(INTENDED USE)	XYX-276BZ-24TC-27601
	APPD:	ZHENBO LIU 12/04'16
	CHKD:	QiaoZhen LIN 12/04'16
	DR:	ZHIYI LI 12/04'16

深圳市日宝电子科技有限公司
Shenzhen RB Electronic Technology Co., Ltd.

CLASS: CONFIDENTIAL SECRET GENERAL

TITLE.: CUSTOMER DRAWING

DWG NO.:

	SHEET	SCALE	REV
	1/2	1:1	B