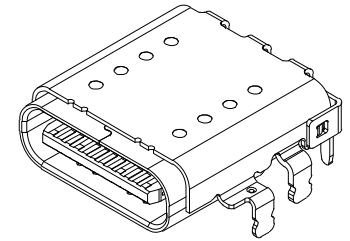
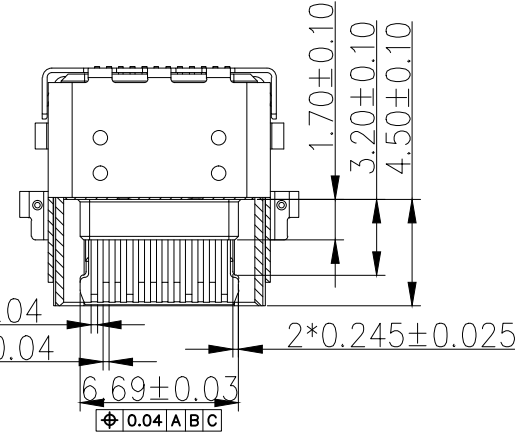
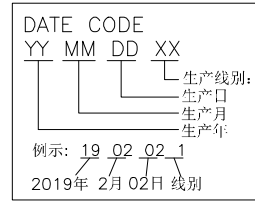
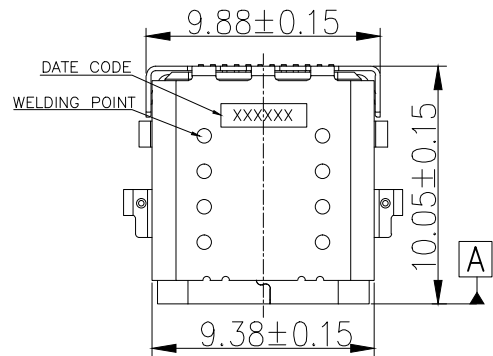


成品图



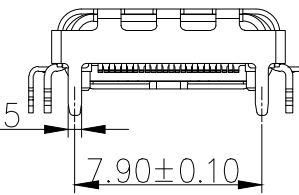
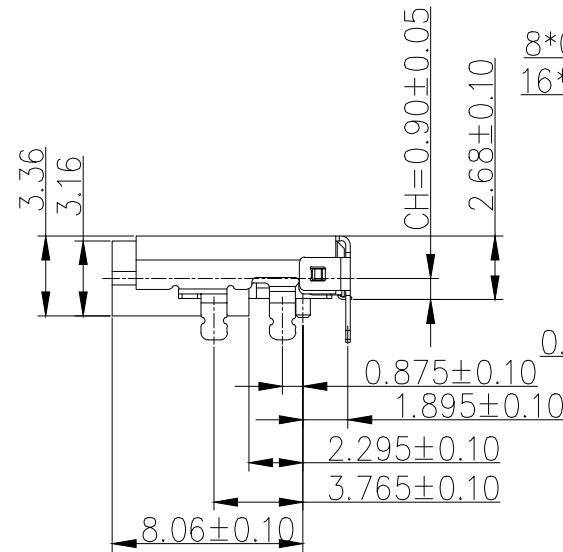
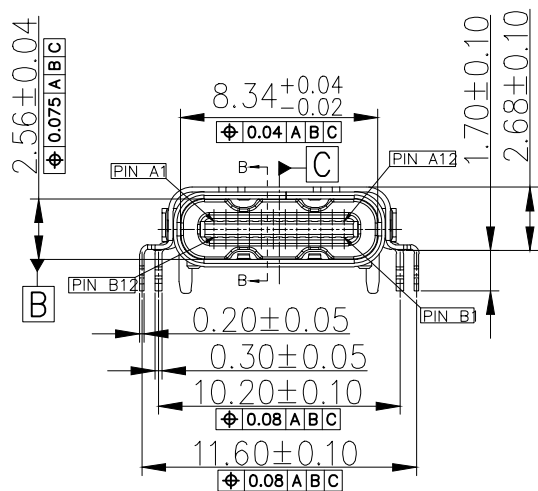
REV	ECN.NO	APPD.
A	XYX-266CZ-24TC-26601	ZHENBO LIU
B	XYX-266CZ-24TC-26601	QiaoZhen LIN



3D VIEW

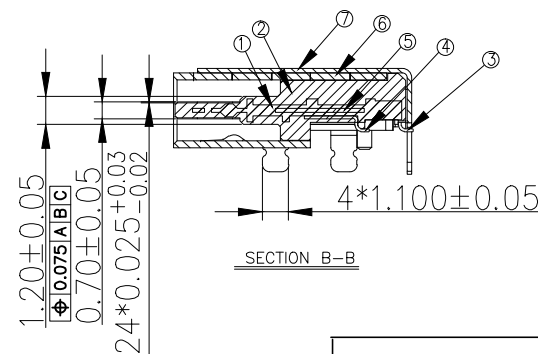
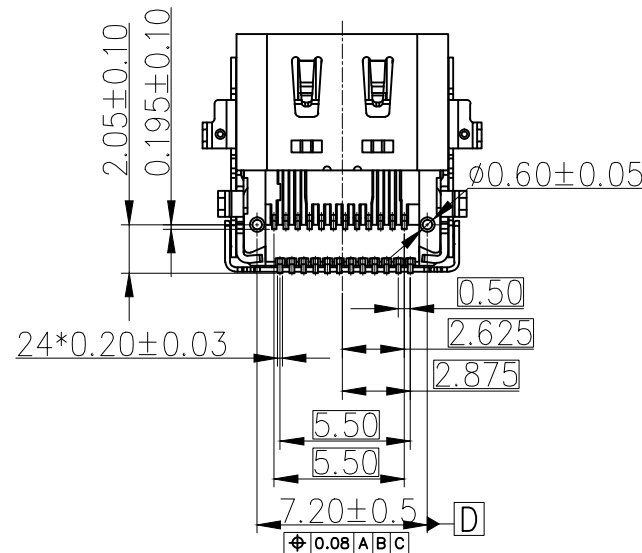
NOTES:

- ELECTRICAL CHARACTERISTICS:
 - CURRENT RATING: VBUS AND GND CONTACTS RATED AT 3A,
 - INITIAL CONTACT RESISTANCE: 40mΩ Max.;
 - INSULATION RESISTANCE: 100MΩ Min.;
 - DIELECTRIC WITHSTANDING VOLTAGE: 100V AC ONE MINUTE.
- MECHANICAL CHARACTERISTICS:
 - MATING FORCE: 5~20N;
 - UNMATING FORCE: 8~20N (INITIAL), 6~20N (AFTER 10000 CYCLES);
 - FREQUENCY: 200±50 CYCLES/HOUR, 10000 CYCLES;
- CONN APPEARANCE IS VERY VELVET AND ANY APPEARANCE DEFECT SUCH AS, SCRATCH, DISTORTION, TURNING UP COULDN'T BE ALLOWED;
- HARMFUL MATERIAL AND PROCESS CONTROL, PLEASE FOLLOW DOC. NO. "QW-Q-043" & RoHS 2.0 & HF
- NOT ALLOWED TO ADD MATERIAL.



Pin Assignments:

Pin	Signal Name	Description	Mating Sequence	Pin	Signal Name	Description	Mating Sequence
A1	GND	Ground return	First	B12	GND	Ground return	First
A2	SSTXp1	Positive half of first SuperSpeed TX differential pair	Second	B11	SSRXp1	Positive half of first SuperSpeed RX differential pair	Second
A3	SSTXn1	Negative half of first SuperSpeed TX differential pair	Second	B10	SSRXn1	Negative half of first SuperSpeed RX differential pair	Second
A4	VBUS	Bus Power	First	B9	VBUS	Bus Power	First
A5	CC1	Configuration Channel	Second	B8	SBU2	Sideband Use	Second
A6	Dp1	Positive half of the USB2.0 differential pair-Position 1	Second	B7	Dn2	Negative half of the USB2.0 differential pair-Position 2	Second
A7	Dn1	Negative half of the USB2.0 differential pair-Position 1	Second	B6	Dp2	Positive half of the USB2.0 differential pair-Position 2	Second
A8	SBU1	Sideband Use	Second	B5	CC2	Configuration Channel	Second
A9	VBUS	Bus Power	First	B4	VBUS	Bus Power	First
A10	SSRXn2	Negative half of second SuperSpeed RX differential pair	Second	B3	SSTXn2	Negative half of second SuperSpeed TX differential pair	Second
A11	SSRXp2	Positive half of second SuperSpeed RX differential pair	Second	B2	SSTXp2	Positive half of second SuperSpeed TX differential pair	Second
A12	GND	Ground return	First	B1	GND	Ground return	First



零件单重
g/pcs

NO	PART NAME	Q'TY	MATERIAL	FINISH
7	外壳	1PCS	SUS304-1/2H T=0.20*24.50MM	整体镀镍80u"Min.
6	内壳	1PCS	SUS304-1/2H T=0.30*28.00MM	整体镀镍80u"Min.
5	隔离片	1PCS	SUS304-1/2H T=0.15*13.50MM	整体镀镍80u"Min.
4	下端子	1SET	C7025 TM04 T=0.12*24.00MM	整体镀镍80u"Min. 接触区镀金30u" AuMIN. 焊接区镀金1u" Au.MIN.
3	上端子	1SET	C7025 TM04 T=0.12*24.00MM	整体镀镍80u"Min. 接触区镀金30u" AuMIN. 焊接区镀金1u" Au.MIN.
2	2 MOLDING	1PCS	PA9T GP2450	HF UL94V-0, BLACK
1	1 MOLDING	1PCS	PA9T GP2450	HF UL94V-0, BLACK

UNITS: mm	UNITS mm	NAME (INTENDED USE) USB TYPE C FEMALE, BLACK UL94V-0, SMT, CH=0.90mm, RoHS 2.0 & HF
GENERAL TOLERANCE	MAT'L	PART NO. (INTENDED USE) XYX-266CZ-24TC-26601
X± .X±0.10 .XX±0.05 .XXX±0.03 UNITS: mm	FINISH	APPD: ZHENBO LIU 12/04'16
X.°±3° .X°± .XX°± .XXX°±	Q'TY	CHKD: QiaoZhen LIN 12/04'16
THESE DRAWINGS AND SPECIFICATIONS ARE THE PROPERTY OF RIBAO IN TEECONNECT TECHNOLOGY LIMITED. AND SHALL NOT BE REPRODUCED COPIED OR USED IN ANY MANNER WITHOUT THE PRIOR WRITTEN CONSENT OF XINYEXING INTERCONNECTEC HNOLGY LIMITEDCT		DR: ZHIYI LI 12/04'16

深圳市日宝电子科技有限公司
Shenzhen RB Electronic Technology Co., Ltd.

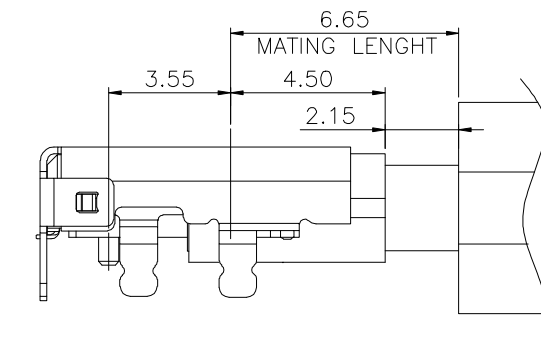
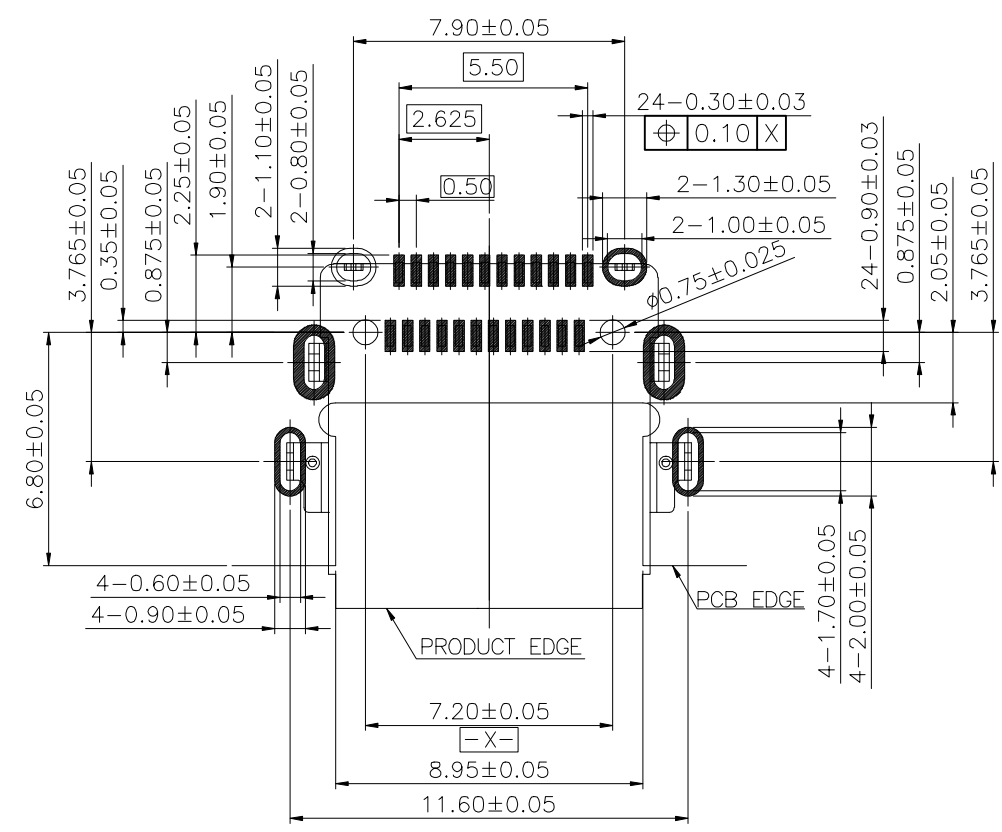
CLASS: CONFIDENTIAL SECRET GENERAL

TITLE.: CUSTOMER DRAWING

DWG NO.:

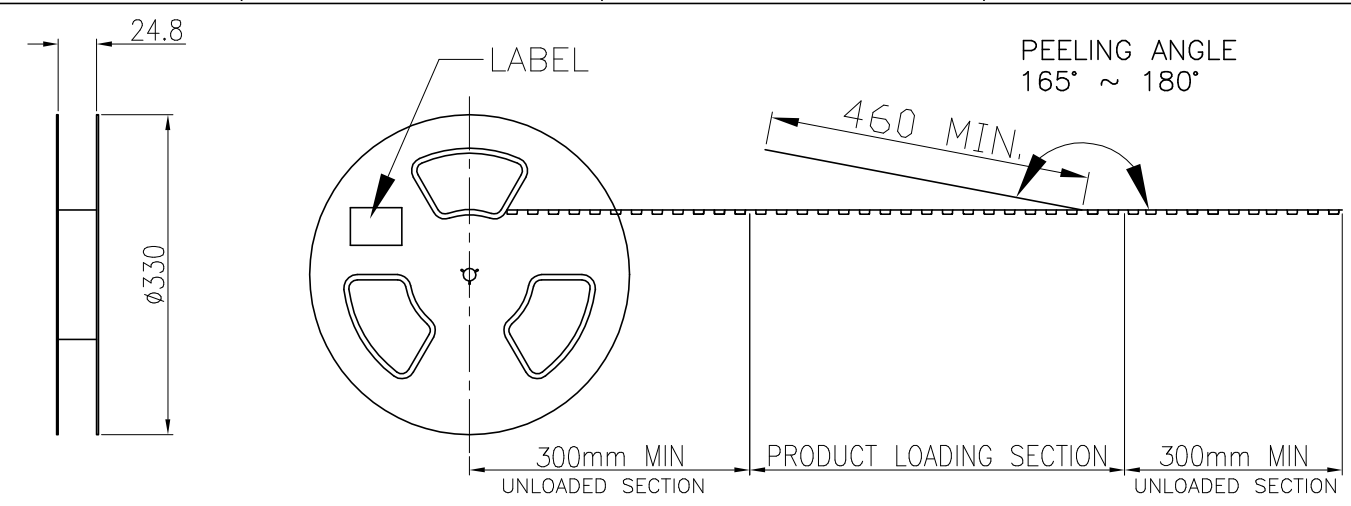
	SHEET	SCALE	REV
	1/3	1:1	B

REV	ECN.NO	APPD.
A	XYX-266CZ-24TC-26601	ZHENBO LIU
B	XYX-266CZ-24TC-26601	QiaoZhen LIN



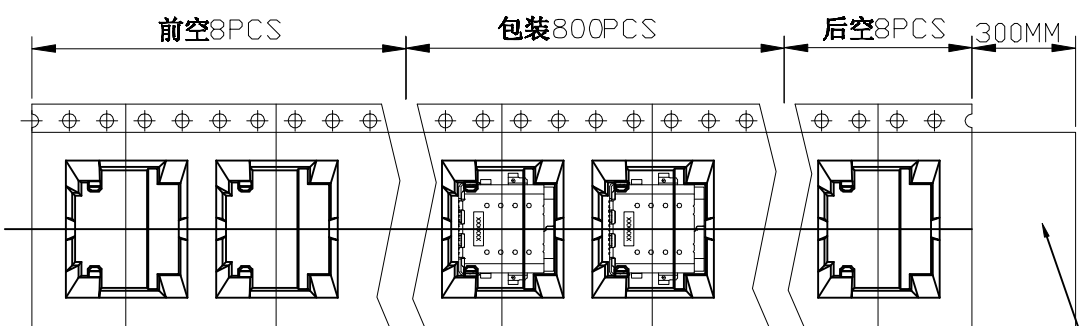
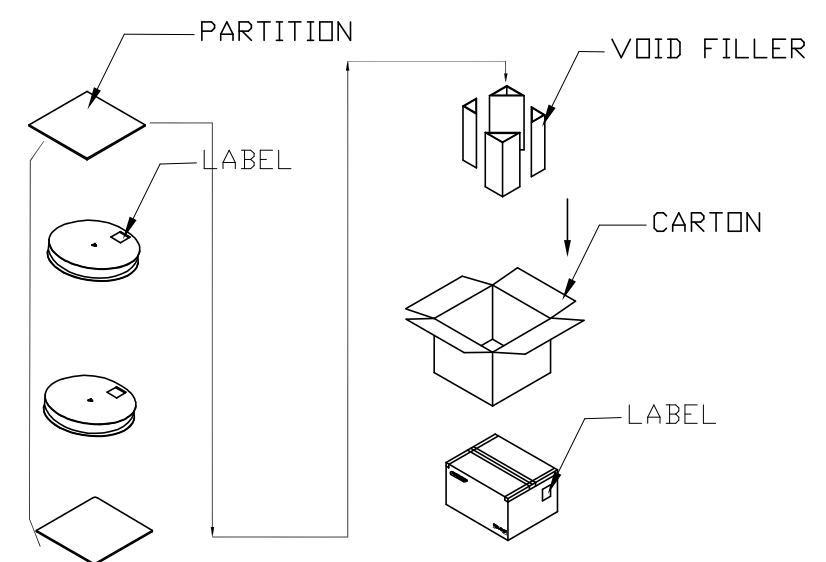
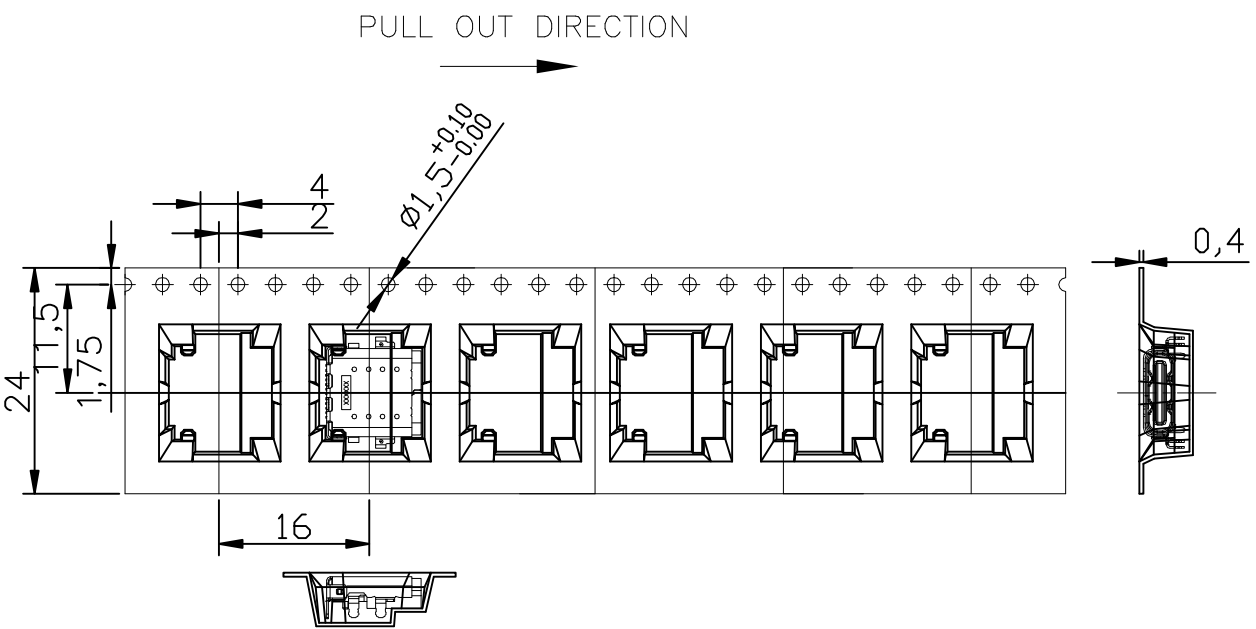
RECOMMENDED PCB LAYOUT(TOP VIEW)
THICKNESS:1.20mm TOLERANCE:±0.05

<p>UNITS:mm GENERAL TOLERANCE</p> <p>X.± X.°±3° .X± 0.10 .X°± .XX± 0.05 .XX°± .XXX± 0.03 .XXX°± UNITS: mm</p> <p>THESE DRAWINGS AND SPECIFICATIONS ARE THE PROPERTY OF RIBAO IN TEECONNECT TECHNOLOGY LIMITED,AND SHALL NOT BE REPRODUCED COPIED OR USED IN ANY MANNER WITHOUT THE PRIOR WRITTEN CONSENT OF XINYEXING INTERCONNECTEC HNOLGY LIMITEDCT</p>	UNITS	mm	NAME(INTENDED USE)	<p>深圳市日宝电子科技有限公司 Shenzhen RB Electronic Technology Co., Ltd.</p>			
	MAT'L		PART NO.(INTENDED USE)	<p>CLASS: <input type="checkbox"/> CONFIDENTIAL <input type="checkbox"/> SECRET <input checked="" type="checkbox"/> GENERAL</p>			
	FINISH		XYX-266CZ-24TC-26601	<p>TITLE.: CUSTOMER DRAWING</p>			
	Q'TY			APPD: ZHENBO LIU 12/04'16	<p>DWG NO.:</p>		
			CHKD: QiaoZhen LIN 12/04'16		SHEET	SCALE	REV
			DR: ZHIYI LI 12/04'16		2 / 3	1:1	B



- NOTES :
- MATERIAL :
COVER TAPE : P.S T=0.05mm
CARRIER TAPE : P.S T=0.40mm
CARTON: CORRUGATED FIBER
 - DIMENSION :
REEL : SEE DRAWING
SHIPPING BOX: 350X350X325mm
 - QUANTITY : SEE TABLE
 - PEELING RESISTANCE : 10gf~130gf (for 12~56mm)
 - PEELING SPEED : 300mm/MINUTES

REV	ECN.NO	APPD.
A	XYX-266CZ-24TC-26601	ZHENBO LIU
B	XYX-266CZ-24TC-26601	QiaoZhen LIN



800	10	8000
PCS/REEL	REEL/BOX	TOTAL Q'TY

UNITS:mm GENERAL TOLERANCE X.± X.°±3° .X± 0.10 .X°± .XX± 0.05 .XX°± .XXX± 0.03 .XXX°± UNITS: mm	UNITS mm	NAME(INTENDED USE) USB TYPE C FEMALE,BLACK UL94V-0,SMT,CH=0.90mm,RoHS 2.0&HF
	MAT'L	PART NO.(INTENDED USE) XYX-266CZ-24TC-26601
	FINISH	APPD: ZHENBO LIU 12/04'16
	Q'TY	CHKD: QiaoZhen LIN 12/04'16 DR: ZHIYI LI 12/04'16

深圳市日宝电子科技有限公司
 Shenzhen RB Electronic Technology Co., Ltd.

CLASS: CONFIDENTIAL SECRET GENERAL

TITLE.: CUSTOMER DRAWING

DWG NO.:

	SHEET	SCALE	REV
	3 / 3	1:1	B

THESE DRAWINGS AND SPECIFICATIONS ARE THE PROPERTY OF RIBAO IN TEECONNECT TECHNOLOGY LIMITED,AND SHALL NOT BE REPRODUCED COPIED OR USED IN ANY MANNER WITHOUT THE PRIOR WRITTEN CONSENT OF XINYEXING INTERCONNECTEC HNOLGY LIMITEDCT