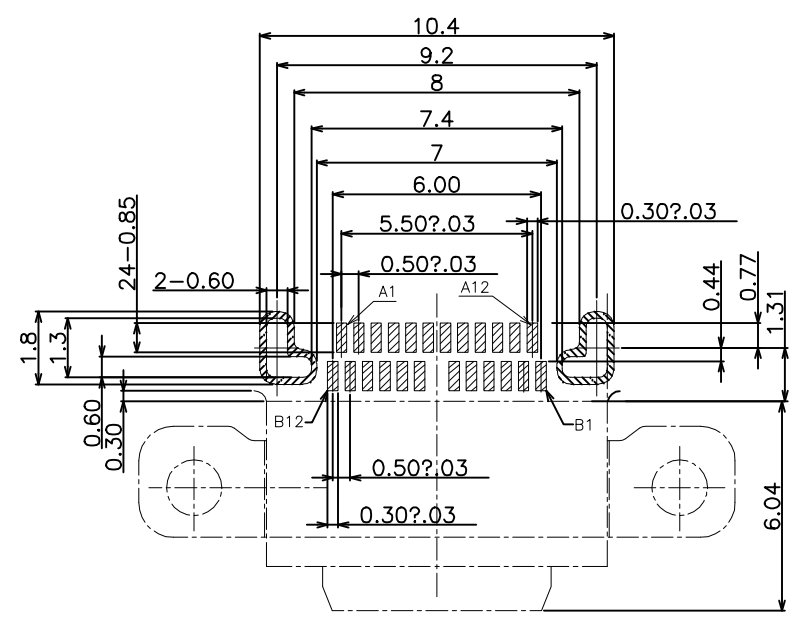
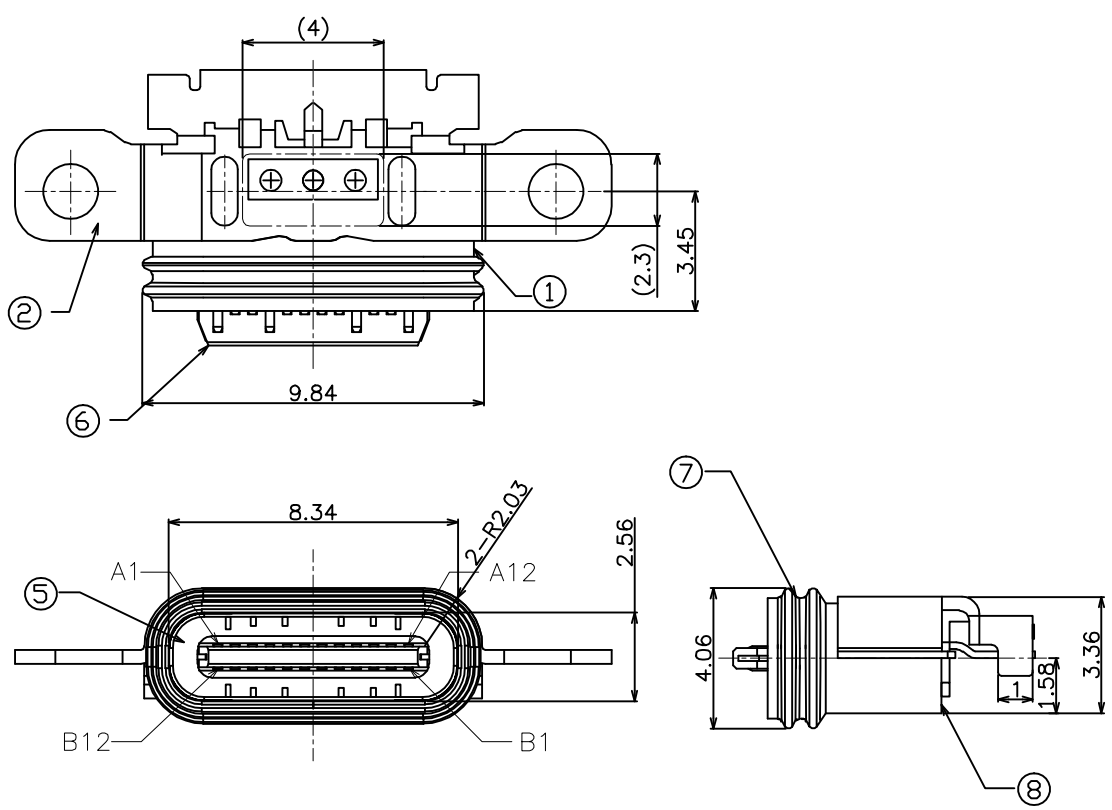
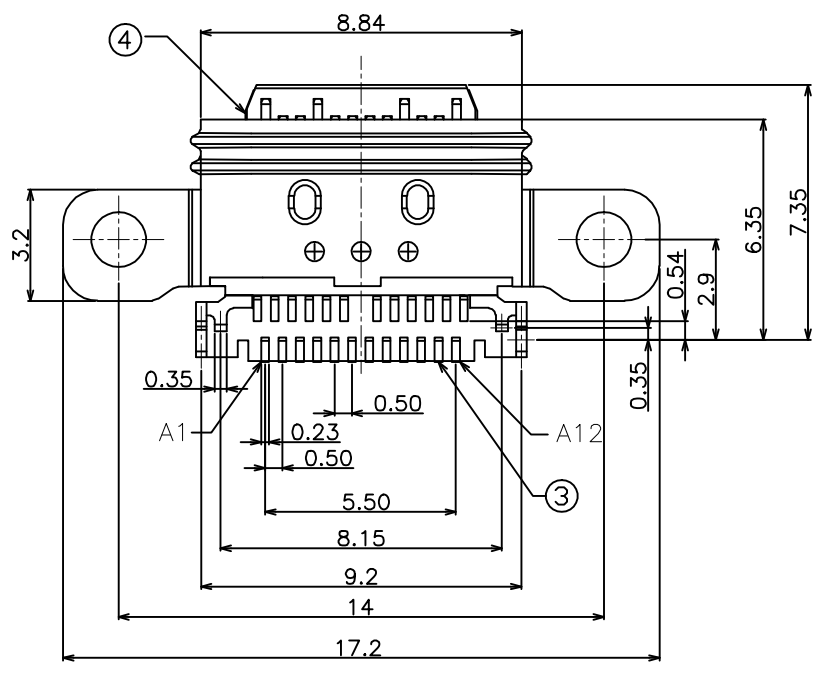


REV	ECN.NO	APPD.
A	XYX-280FZ-24TC-28001	ZHENBO LIU
B	XYX-280FZ-24TC-28001	QiaoZhen LIN



RECOMMENDED PCB LAYOUT(TOP VIEW)
THICKNESS 0.60MM;DEFAULT TOLERANCE:±0.05

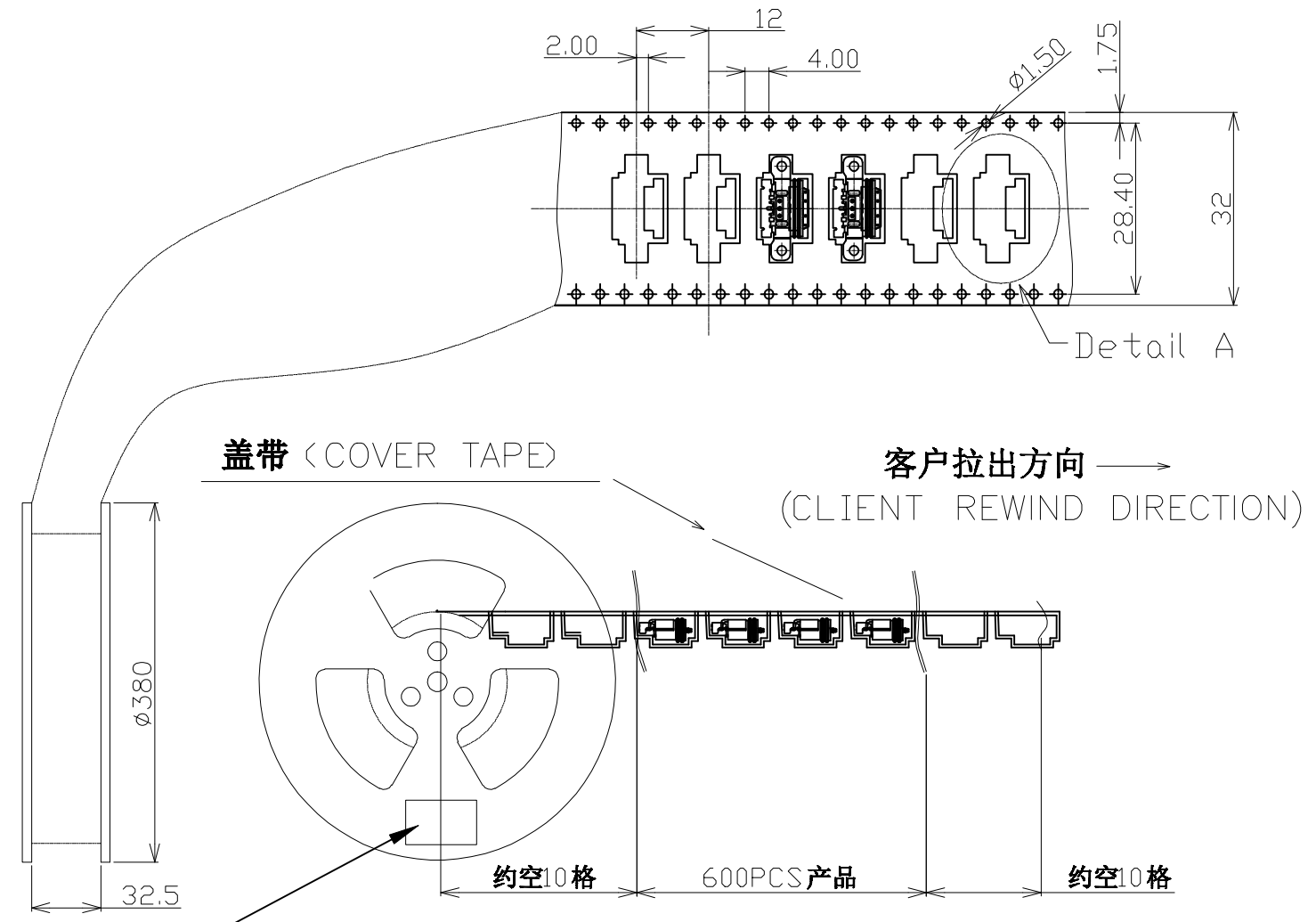


NO.	ITEM	MATERIAL	REMARKS
8	CURED RESIN		
7	GASKET	SILICONG RUBBER	
6	HOUSING	HEAT RESISTING RESIN	UL94V-0
5	EMC PADS	STAINLESS STEEL	T=0.1
4	MID-PLATE	STAINLESS STEEL	T=0.15
3	CONTACT	COPPER ALLOY	T=0.15
2	TAB	STAINLESS STEEL	T=0.30
1	SHELL	STAINLESS STEEL	T=0.25

Pin	Signal Name	Mating Sequence	Pin	Signal Name	Mating Sequence
A1	GND	First	B12	GND	First
A2	SSTXp1	Second	B11	SSRXp1	Second
A3	SSTXn1	Second	B10	SSRXn1	Second
A4	Vus	First	B9	Vus	First
A5	CC1	Second	B8	SBU2	Second
A6	Dp1	Second	B7	Dn2	Second
A7	Dn1	Second	B6	Dp2	Second
A8	SBU1	Second	B5	CC2	Second
A9	Vus	First	B4	Vus	First
A10	SSRXn2	Second	B3	SSTXn2	Second
A11	SSRXp2	Second	B2	SSTXp2	Second
A12	GND	First	B1	GND	First
SHELL	GND		SHELL	GND	

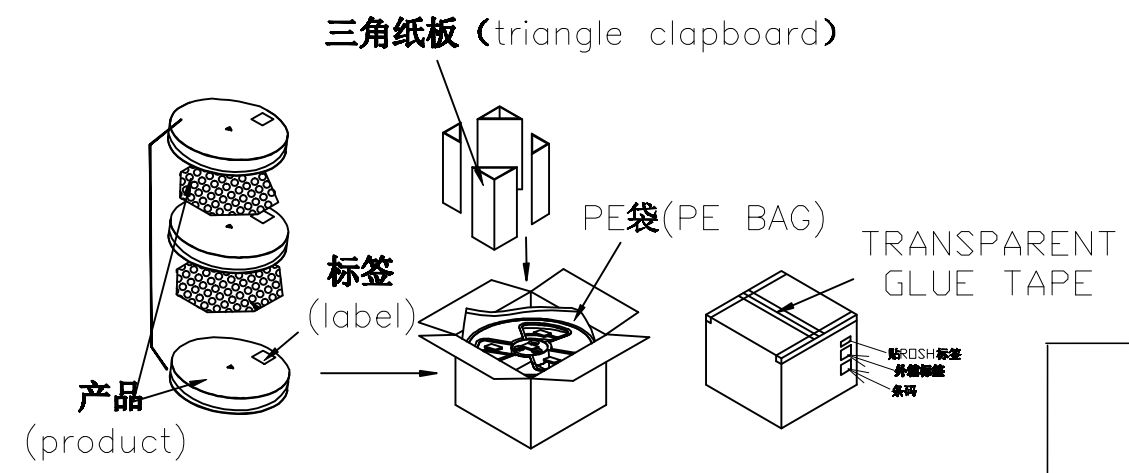
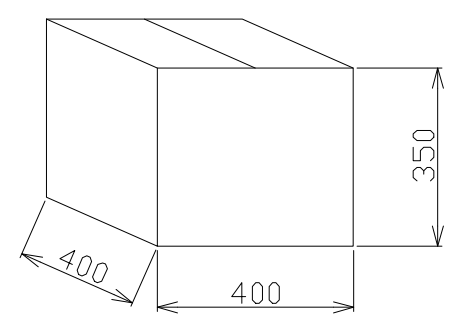
THESE DRAWINGS AND SPECIFICATIONS ARE THE PROPERTY OF RIBAO IN TEECONNECT TECHNOLOGY LIMITED.AND SHALL NOT BE REPRODUCED COPIED OR USED IN ANY MANNER WITHOUT THE PRIOR WRITTEN CONSENT OF XINYEXING INTERCONNECTEC HNOLGY LIMITEDCT	UNITS	mm	深圳市日宝电子科技有限公司 Shenzhen RB Electronic Technology Co., Ltd.						
	MAT'L			CLASS: <input type="checkbox"/> CONFIDENTIAL <input type="checkbox"/> SECRET <input checked="" type="checkbox"/> GENERAL					
	FINISH			TITLE.: CUSTOMER DRAWING					
	Q'TY			DWG NO.:					
	NAME(INTENDED USE)	TYPE C 24P防水母座 沉板1.8MM 带双耳 L=7.95MM 防水IPX8							
	PART NO.(INTENDED USE)	XYX-280FZ-24TC-28001							
	APPD:	ZHENBO LIU 12/04'16							
	CHKD:	QiaoZhen LIN 12/04'16							
	DR:	ZHIYI LI 12/04'16							
			<table border="1"> <tr> <td>SHEET</td> <td>SCALE</td> <td>REV</td> </tr> <tr> <td>1/2</td> <td>1:1</td> <td>B</td> </tr> </table>	SHEET	SCALE	REV	1/2	1:1	B
SHEET	SCALE	REV							
1/2	1:1	B							

REV	ECN.NO	APPD.
A	XYX-280FZ-24TC-28001	ZHENBO LIU
B	XYX-280FZ-24TC-28001	QiaoZhen LIN




包装说明:

- 数量:
每盘=1600Pcs(600Pcs/reel)
- 每盘包装前后各留约10格, 每盘600Pcs, 封口后再放入纸箱;
- 注意包材脏污破损不可使用, 包装过程中注意不可碰伤刮伤产品;




THESE DRAWINGS AND SPECIFICATIONS ARE THE PROPERTY OF RIBAO IN TEECONNECT TECHNOLOGY LIMITED. AND SHALL NOT BE REPRODUCED COPIED OR USED IN ANY MANNER WITHOUT THE PRIOR WRITTEN CONSENT OF XINYEXING INTERCONNECTEC HNOLGY LIMITEDCT	UNITS	mm
	MAT'L	
	FINISH	
	Q'TY	
NAME(INTENDED USE)		TYPE C 24P防水母座 沉板1.8MM 带双耳 L=7.95MM 防水IPX8
PART NO.(INTENDED USE)		XYX-280FZ-24TC-28001
APPD:		ZHENBO LIU 12/04'16
CHKD:		QiaoZhen LIN 12/04'16
DR:		ZHIYI LI 12/04'16

 **深圳市日宝电子科技有限公司**
Shenzhen RB Electronic Technology Co., Ltd.

CLASS: CONFIDENTIAL SECRET GENERAL

TITLE.: CUSTOMER DRAWING

DWG NO.:

	SHEET	SCALE	REV
	1/2	1:1	B