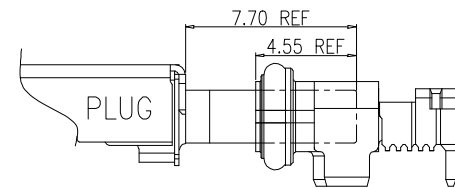
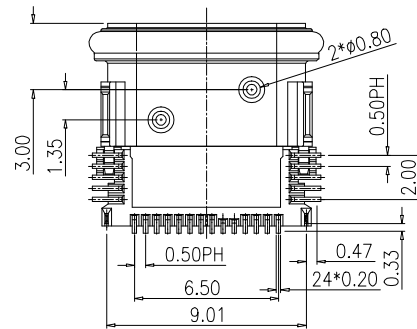
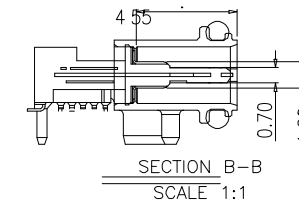
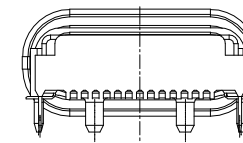
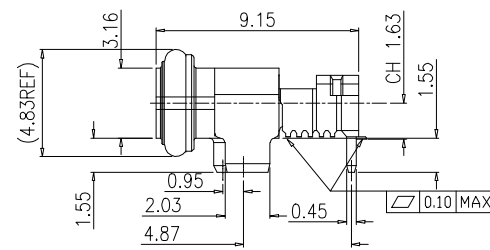
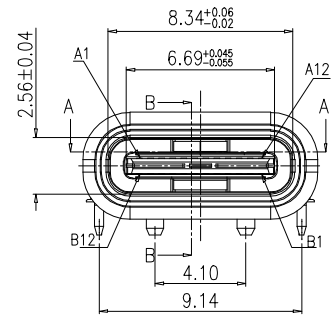
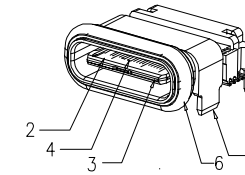
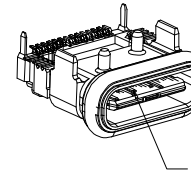
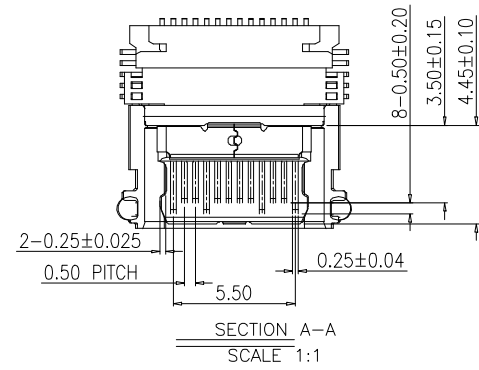
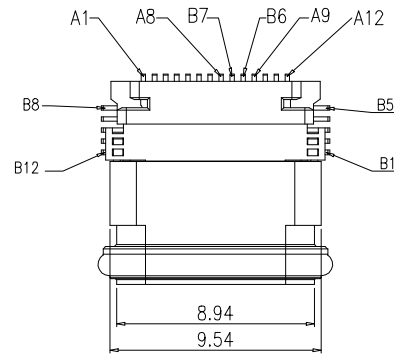


REV	ECN.NO	APPD.
A	XYX-173FZ-24TC-17301	ZHENBO LIU
B	XYX-173FZ-24TC-17301	QiaoZhen LIN



- NOTES:
- ELECTRICAL:
 - CONTACT CURRENT RATING 5.0A FOR VBUS AND GND(PINS A4 A9 B4 B9)
 - INSULATION RESISTANCE: 100 MEGAOHMS MIN. AT 250VDC.
 - DIELECTRIC WITHSTANDING VOLTAGE: 100VAC MIN.
 - LOW CONTACT RESISTANCE: INITIAL 40mΩ MAX. AFTER 50mΩ MAX.
 - MECHANICAL CHARACTERISTICS:
 - INSERTION FORCE: 5N~20N.
 - EXTRACTION FORCE: 8N~20N FORM 1 TO 1000CYCLES. 5°C 6~20N FORM 1001 TO 10000CYCLES.
 - DURABILITY: 10,000 MATING CYCLES
 - OPERATING TEMPERATURE: -55°C TO +8
 - COPLANARITY: 0.10MAX.
 - PART NUMBER INFORMATION:



ITEM	PART NAME	QTY	MATERIAL	REMARK
1	SHELL	1PCS	STAINLESS	NICKEL PLATED 50u" MIN. OVER ALL CLEAN
2	INSERT HOUSING	1PCS	PA10T	UL94V-0
3	Mid-PLATE	1PCS	STAINLESS	NI PLATED 50u" MIN. OVER ALL
4	TOP CONTACT	1SET	COPPER ALLOY	NI UNDERPLATED 50 u" MIN OVER ALL; 1u" ON SOLDER TAIL;
5	BOTTOM CONTACT	1SET	COPPER ALLOY	Gold Flash"or 5u"or 10u"or15u"or 30u" ON CONTACT AREA.
6	RUBBER RING	1PCS	SILICA GEL	MILKY WHITE



.X ± 0.15	.XX ± 0.10	.XXX ± 0.05	ANGLE ± 2°
THESE DRAWINGS AND SPECIFICATIONS ARE THE PROPERTY OF YEXING IN TEECONNECT TECHNOLOGY LIMITED AND SHALL NOT BE REPRODUCED COPIED OR USED IN ANY MANNER WITHOUT THE PRIOR WRITTEN CONSENT OF XINYEXING INTERCONNECTEC HNOLGY LIMITEDCT			

UNITS	mm
MAT'L	
FINISH	
Q'TY	

NAME(INTENDED USE)	TYPE C 防水母座24P 三排SMT IP67
PART NO.(INTENDED USE)	XYX-173FZ-24TC-17301
APPD:	ZHENBO LIU 12/04'16
CHKD:	QiaoZhen LIN 12/04'16
DR:	ZHIYI LI 12/04'16

深圳市日宝电子科技有限公司
Shenzhen RiBao Electronics Co.Ltd.

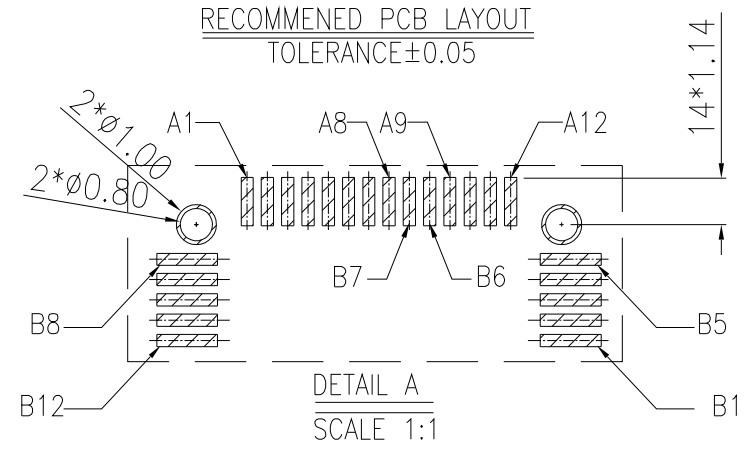
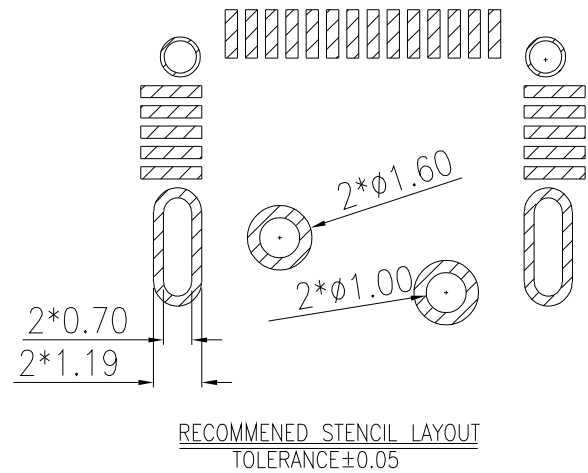
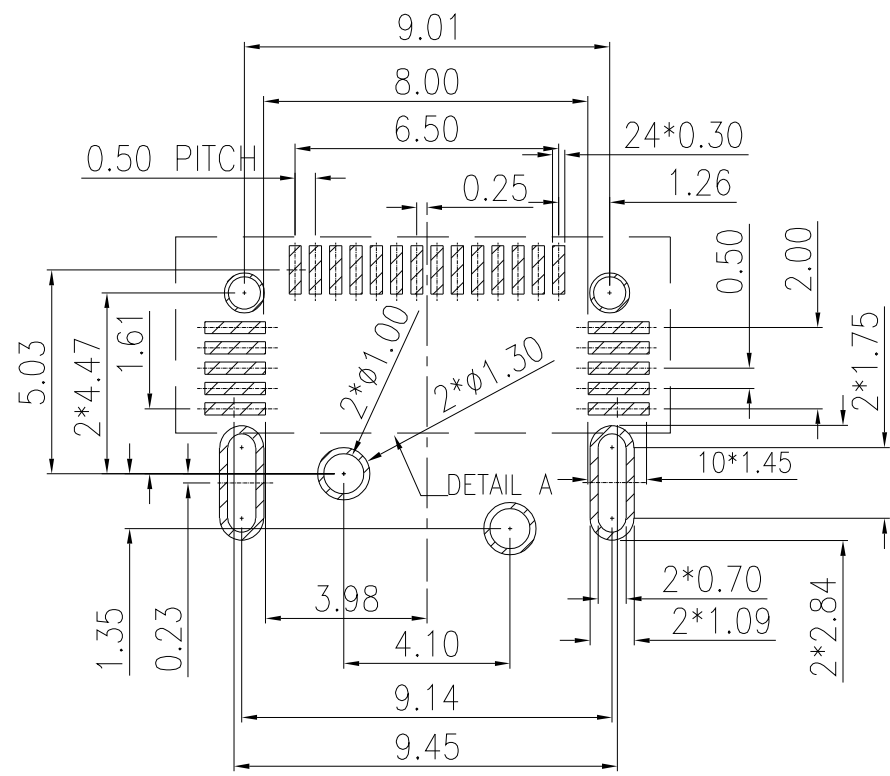
CLASS: CONFIDENTIAL SECRET GENERAL

TITLE.: CUSTOMER DRAWING

DWG NO.:

		SHEET	SCALE	REV
		1 / 2	1:1	B

REV	ECN.NO	APPD.
A	XYX-173FZ-24TC-17301	ZHENBO LIU
B	XYX-173FZ-24TC-17301	QiaoZhen LIN



PIN	SIGNAL NAME	PIN	SIGNAL NAME
A1	GND	B12	GND
A2	SSTXp1	B11	SSRXp1
A3	SSTXn1	B10	SSRXn1
A4	VBUS	B9	VBUS
A5	CC1	B8	SBU2
A6	Dp1	B7	Dn2
A7	Dn1	B6	Dp2
A8	SBU1	B5	CC2
A9	VBUS	B4	VBUS
A10	SSRXn2	B3	SSTXn2
A11	SSRXp2	B2	SSTXp2
A12	GND	B1	GND

.X ± 0.15 .XX ± 0.10 .XXX ± 0.05 ANGLE ± 2°	UNITS	mm	NAME(INTENDED USE) TYPE C 防水母座24P 三排SMT IP67	深圳市芯叶星电子有限公司 Shenzhen Xinyexing Electronics Co.,Ltd.
	MAT'L			
	FINISH		APPD: ZHENBO LIU 12/04'16 CHKD: QiaoZhen LIN 12/04'16	CLASS: <input type="checkbox"/> CONFIDENTIAL <input type="checkbox"/> SECRET <input checked="" type="checkbox"/> GENERAL TITLE.: CUSTOMER DRAWING
	Q'TY		DR: ZHIYI LI 12/04'16	DWG NO.:
THESE DRAWINGS AND SPECIFICATIONS ARE THE PROPERTY OF YEXING IN TEECONNECT TECHNOLOGY LIMITED AND SHALL NOT BE REPRODUCED COPIED OR USED IN ANY MANNER WITHOUT THE PRIOR WRITTEN CONSENT OF XINYEXING INTERCONNECTEC HNOLOGY LIMITEDCT			SHEET 2 / 2	SCALE 1:1
			REV B	